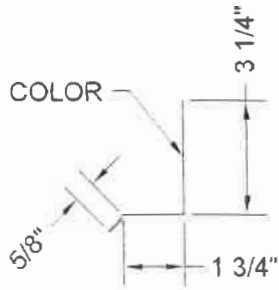


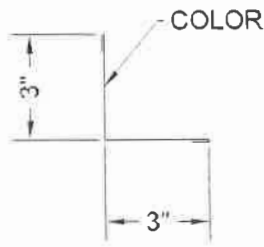
FL-72
BASE TRIM



MAX LENGTH = 20'-3"

G.L.=0'-6 3/16"

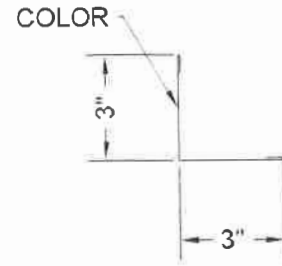
MT-833
3x3 I/S ANGLE TRIM



MAX LENGTH = 20'-3"

G.L.=0'-7 1/8"

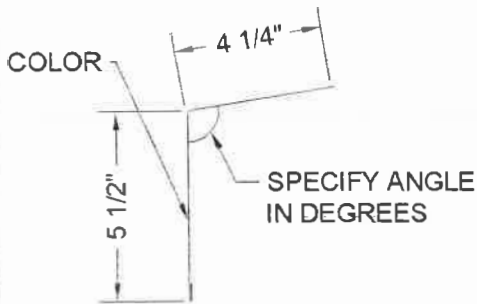
MT-833
3x3 O/S ANGLE TRIM



MAX LENGTH = 20'-3"

G.L.=0'-7 1/8"

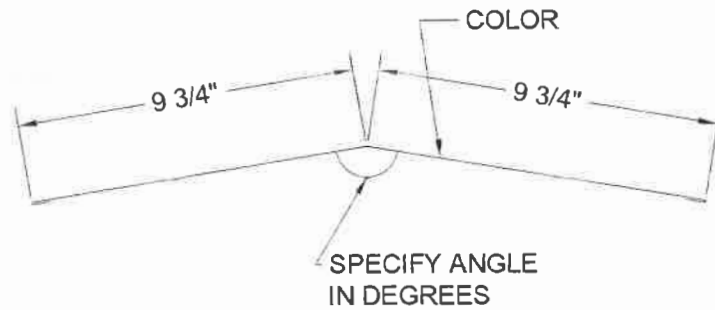
ET-80
SIMPLE EAVE TRIM



MAX LENGTH = 20'-3"

G.L.=0'-10 5/16"

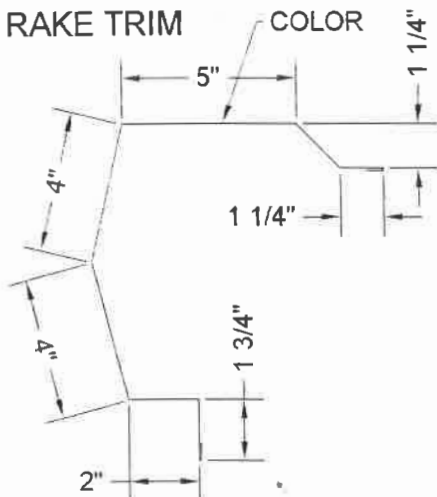
MT-80
RIDGE ROLL TRIM



MAX LENGTH = 12'-3"

G.L.=1'-8 5/8"

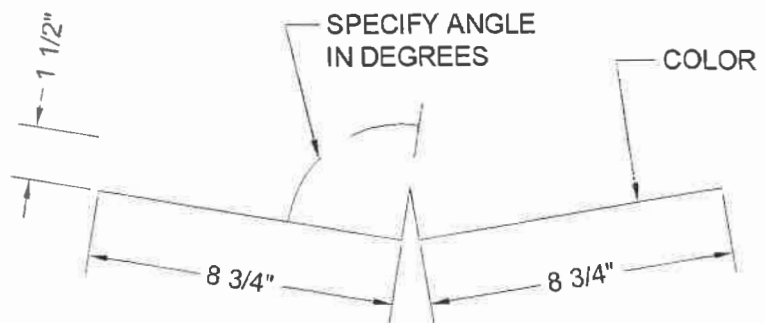
FL-16
RAKE TRIM



MAX LENGTH = 20'-3"

G.L.=1'-8 7/8"

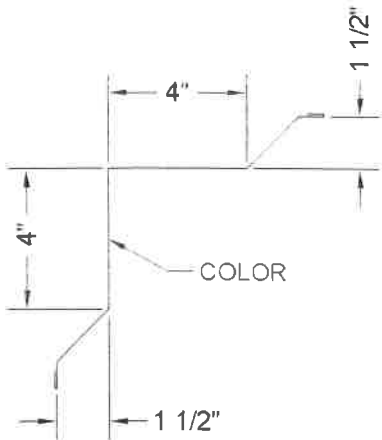
VF-120
VALLEY TRIM



MAX LENGTH = 20'-3"

G.L.=1'-8 1/2"

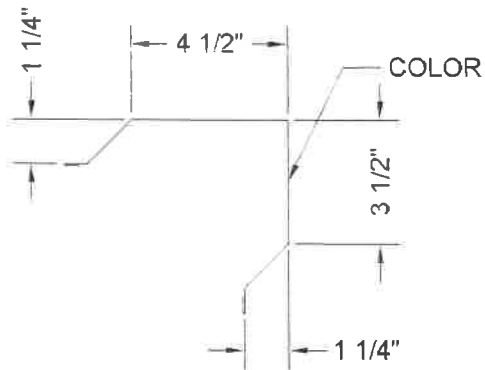
ICT-801
INSIDE CORNER TRIM



MAX LENGTH = 20'-3"

G.L.=1'-2 13/16"

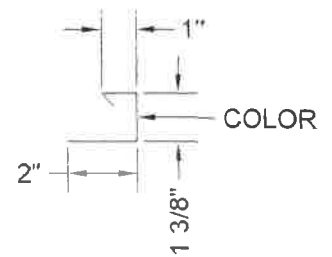
CT-102
OUTSIDE CORNER TRIM



MAX LENGTH = 20'-3"

G.L.=1'-2 1/8"

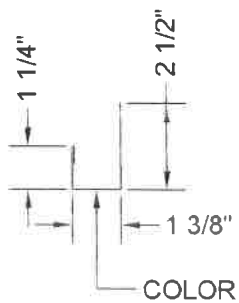
JT-101
JAMB TRIM



MAX LENGTH = 20'-3"

G.L.= 0'-4 7/8"

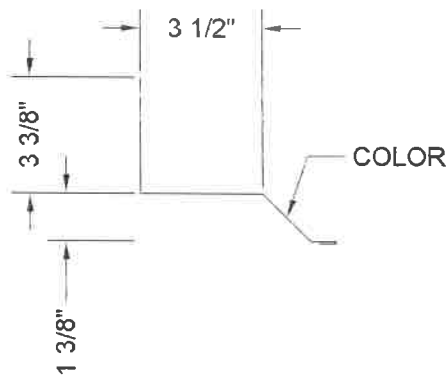
FL-26
HEAD TRIM



MAX LENGTH = 20'-3"

G.L.=0'-5 11/16"

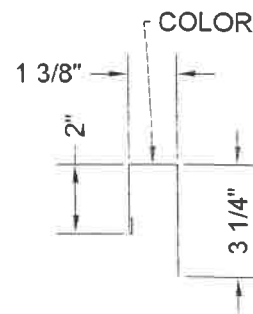
MT-101
TRANSITION TRIM



MAX LENGTH = 20'-3"

G.L.=0'-10 1/8"

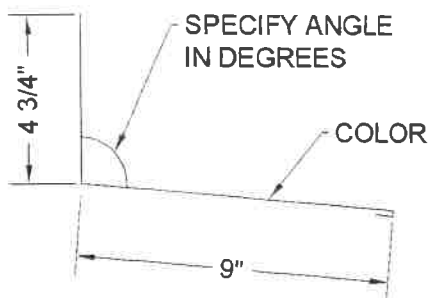
MT-113
CAP TRIM



MAX LENGTH = 20'-3"

G.L.=0'-7 3/16"

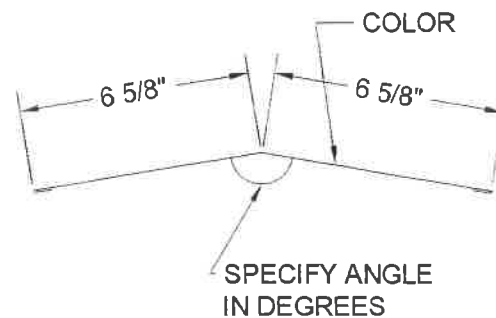
MT-70
TRANSITION TRIM



MAX LENGTH = 20'-3"

G.L.=1'-2 7/16"

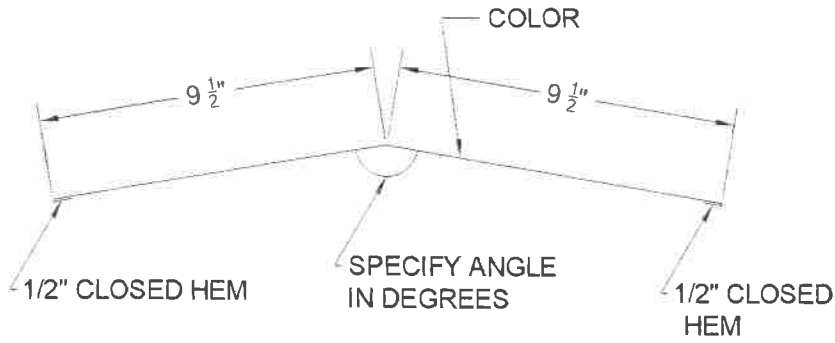
HF-120
HIP TRIM



MAX LENGTH = 20'-3"

G.L.=1'-2 3/8" PAGE 1 OF 5

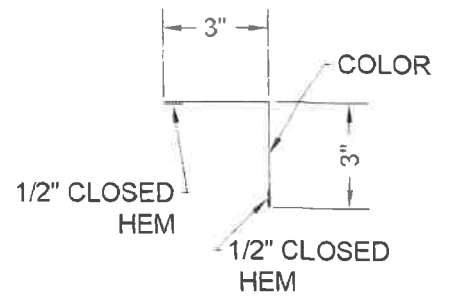
20" FLAT RIDGE TRIM



MAX LENGTH = 10'-0"

G.L.=1'-8 5/8"

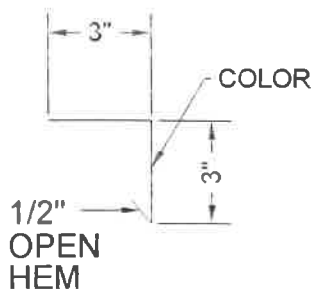
3x3 CORNER TRIM



MAX LENGTH = 10'-0"

G.L.=0'-7 1/8"

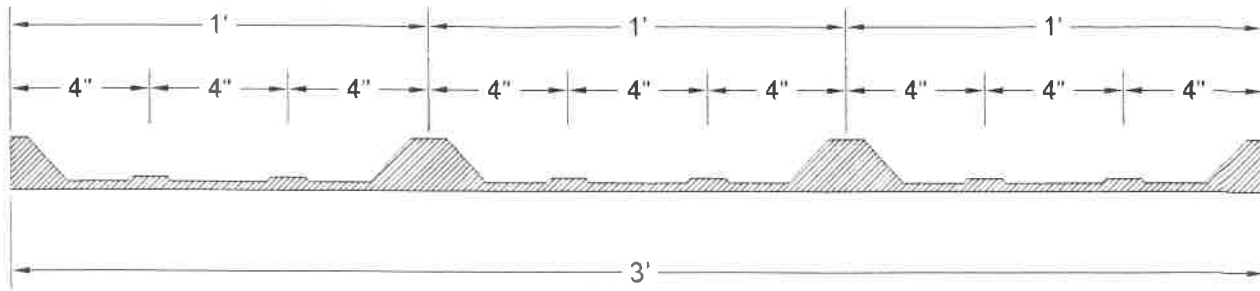
3 x 3 DORMER TRIM



MAX LENGTH = 10'-0"

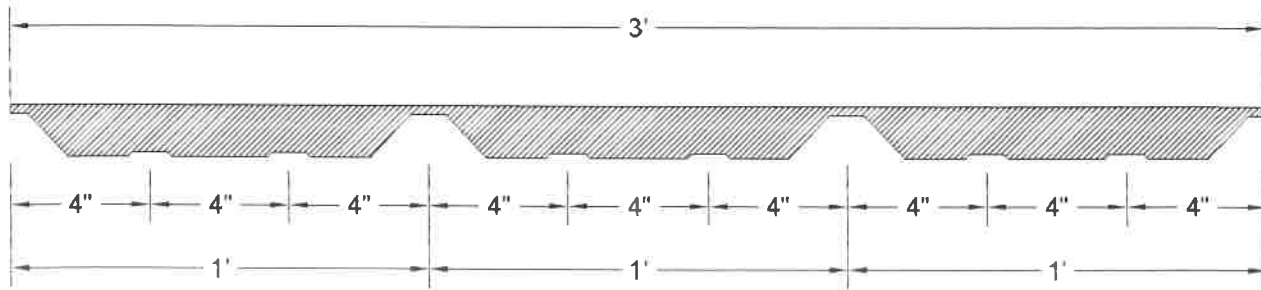
G.L.=0'-6 13/16"

42CS29R
INSIDE CLOSURE STRIP



NOTE: USE WITH SUPER SPAN X PANELS.
CROSS-LINKED GRAY POLYETHYLENE CLOSURE

42CS29R
OUTSIDE CLOSURE STRIP



NOTE: USE WITH SUPER SPAN X PANELS.
CROSS-LINKED GRAY POLYETHYLENE CLOSURE

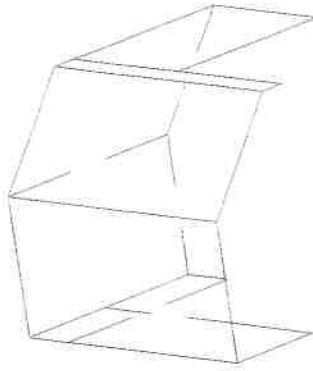
NOTE: FOR SPECIAL TRIMS SEE JIMMY FOR PROFILES.

FL-16A
RAKE END



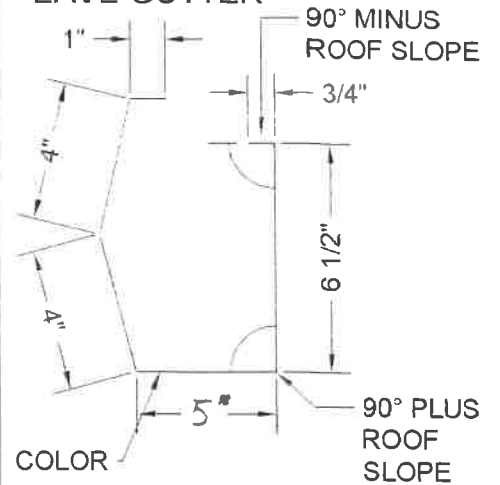
SPECIFY COLOR

FL-16C
CORNER BOX



SPECIFY COLOR

FL-18D
EAVE GUTTER



COLOR

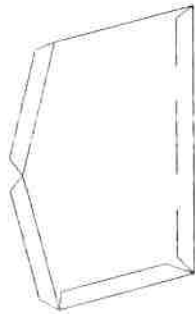
MAX LENGTH = 20'-3"
G.L.=1'-8 1/4"

GS-321
GUTTER STRAP



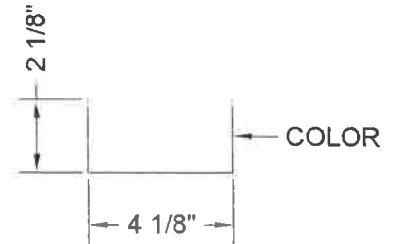
SPECIFY COLOR

FL-18A
GUTTER END CAP



SPECIFY COLOR

DS-105
DOWNSPOUT STRAP

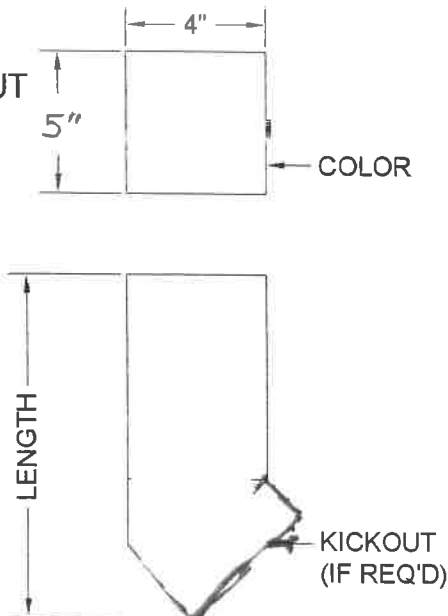


COLOR

SPECIFY COLOR

G.L.=0'-8 3/8"

DS-101
DOWNSPOUT

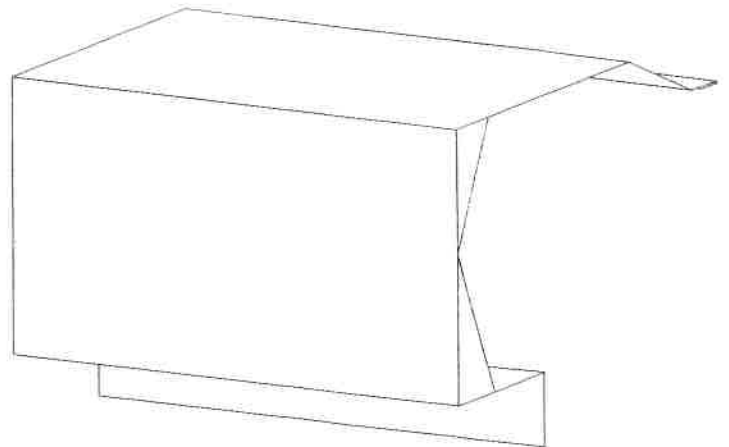


COLOR

LENGTH

KICKOUT
(IF REQ'D)

FL-16B
PEAK BOX

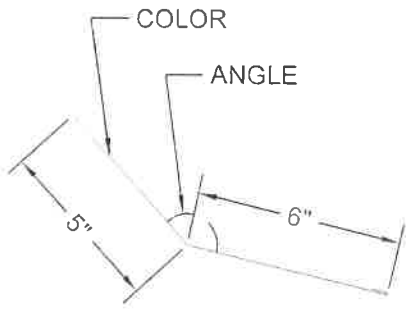


SPECIFY COLOR AND PITCH

Residential Trim Profiles

SR-140

SPECIAL TRANSITION TRIM

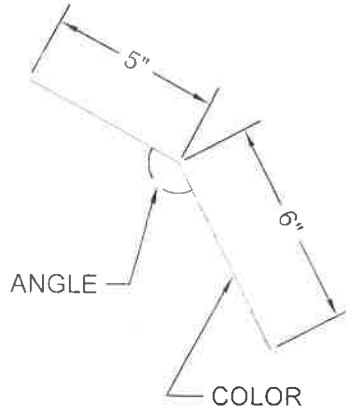


MAX LENGTH = 20'-3"

G.L.=0'-11 9/16"

SR-141

GAMBREL FLASHING

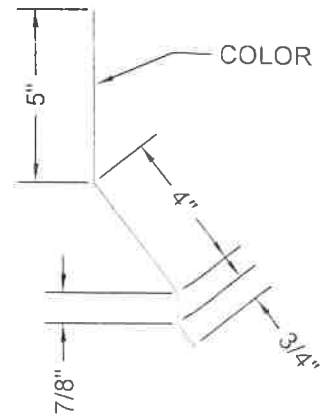


MAX LENGTH = 20'-3"

G.L.=0'-11 9/16"

SR-142

ENDWALL TRANSITION TRIM

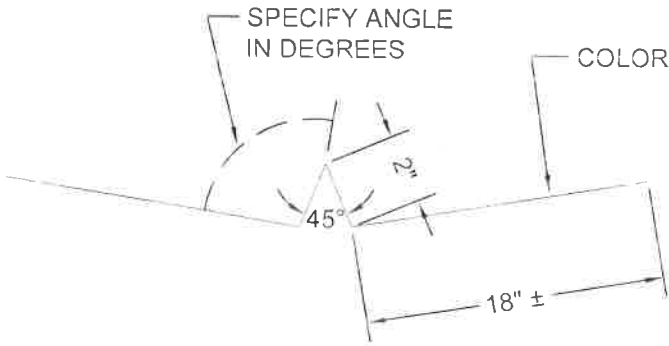


MAX LENGTH = 20'-3"

G.L.=0'-11 9/16"

SR-153

VALLET TRIM

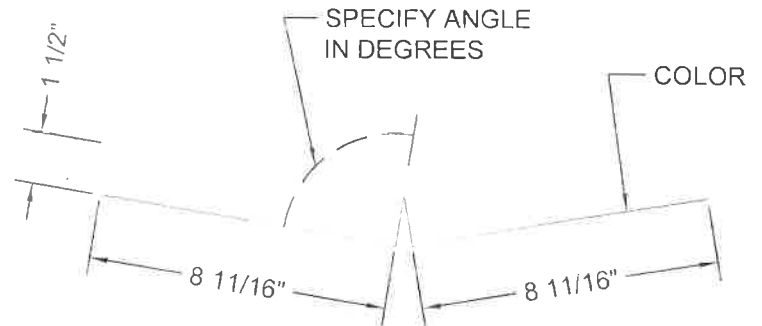


MAX LENGTH = 20'-3"

G.L.=VARIES

SR-145

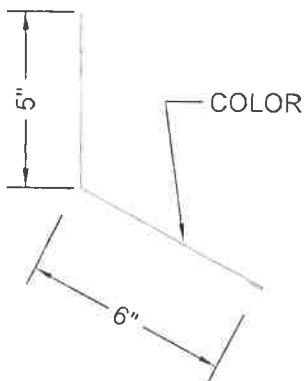
20" VALLET TRIM



G.L.=1'-8 3/8"

SR-139

UNIVERSAL ENDWALL TRIM

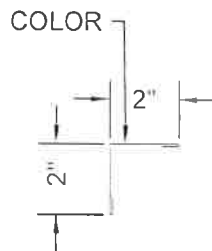


MAX LENGTH = 20'-3"

G.L.=0'-11 9/16"

SR-130 (OUTSIDE)

2"X2" ANGLE TRIM

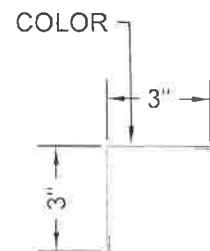


MAX LENGTH = 10'-0"

G.L.=0'-11 9/16"

SR-133H (OUTSIDE)

3"X3" ANGLE TRIM W/ HEMS

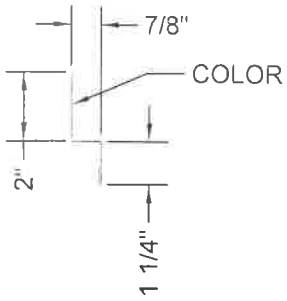


MAX LENGTH = 20'-3"

G.L.=0'-11 9/16"

SR-157

DBL ANGLE/ZEE TRIM

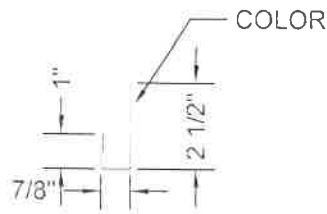


MAX LENGTH = 20'-3"

G.L.=0'-4 11/16"

SR-122

J-CHANNEL TRIM

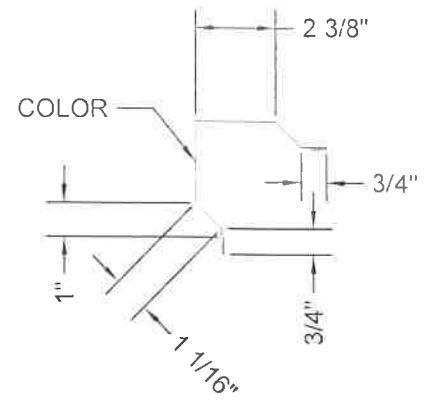


MAX LENGTH = 20'-3"

G.L.=0'-4 15/16"

SR-119

RESIDENTIAL OUTSIDE CORNER

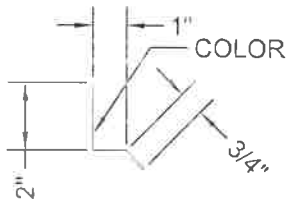


MAX LENGTH = 20'-3"

G.L.=0'-9 1/2"

SR-123

DRIP FLASHING

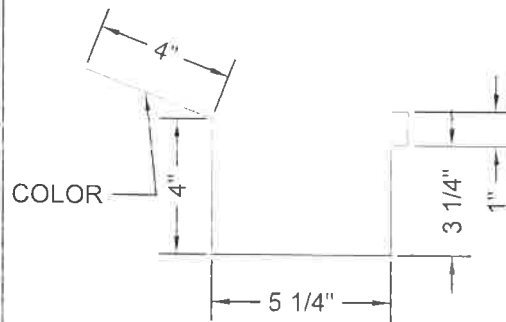


MAX LENGTH = 20'-3"

G.L.=0'-4 5/16"

SR-104

BOX GUTTER

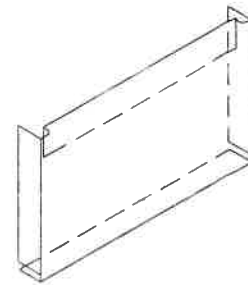


MAX LENGTH = 20'-3"

G.L.= 1'-6 1/2"

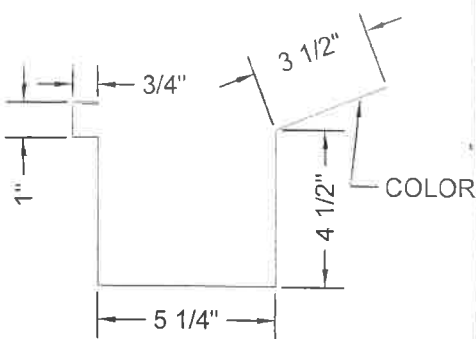
SR-105

BOX GUTTER END CAP



GU-80

BOX GUTTER

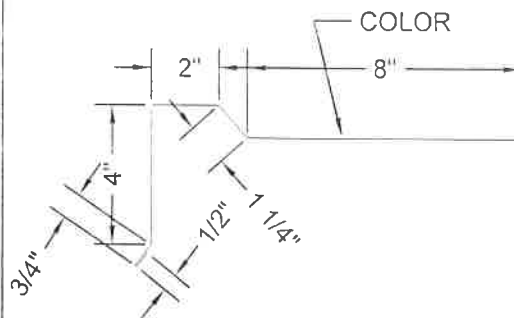


MAX LENGTH = 20'-3"

G.L.= 1'-8 9/16"

SR-165

4" PROW TRIM

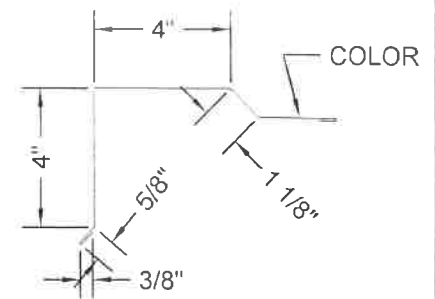


MAX LENGTH = 20'-3"

G.L.= 1'-4 9/16"

SR-115H

RESIDENTIAL RAKE TRIM

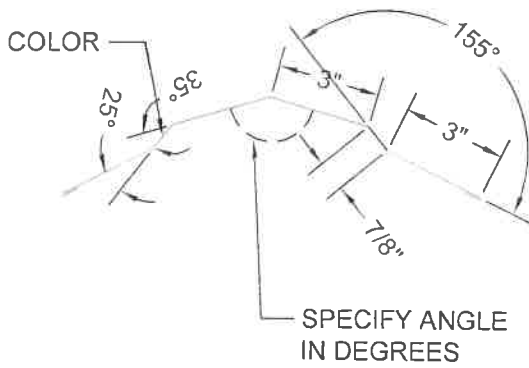


MAX LENGTH = 20'-3"

G.L.= 1'-1 3/16"

SR-151

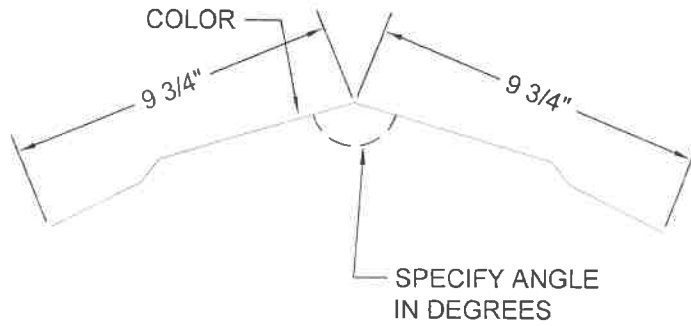
14" RIDGE CAP W/ HEMS



MAX LENGTH = 20'-3"
G.L.=1'-2 7/8"

SR-101

20" UNIVERSAL RIDGE CAP



MAX LENGTH = 20'-3"
G.L.=1'-7 3/4"